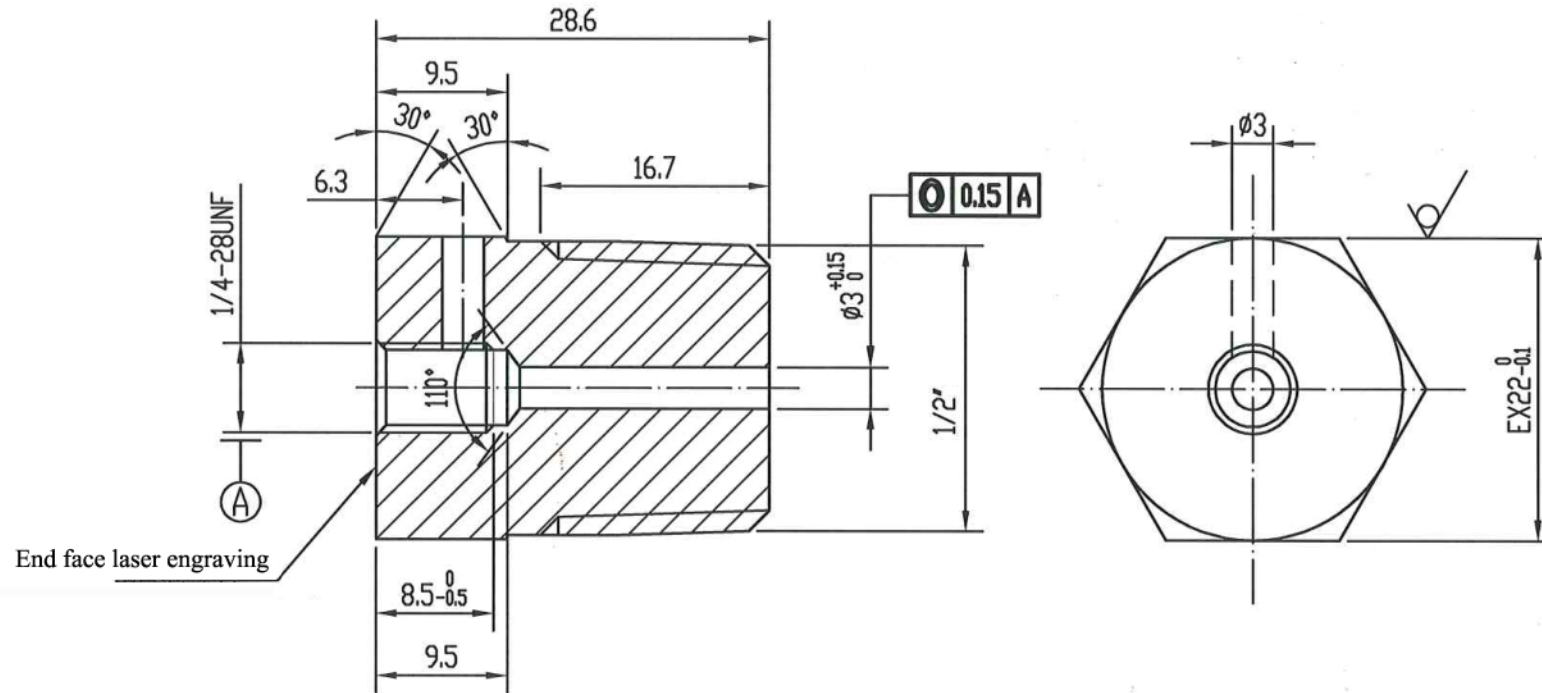
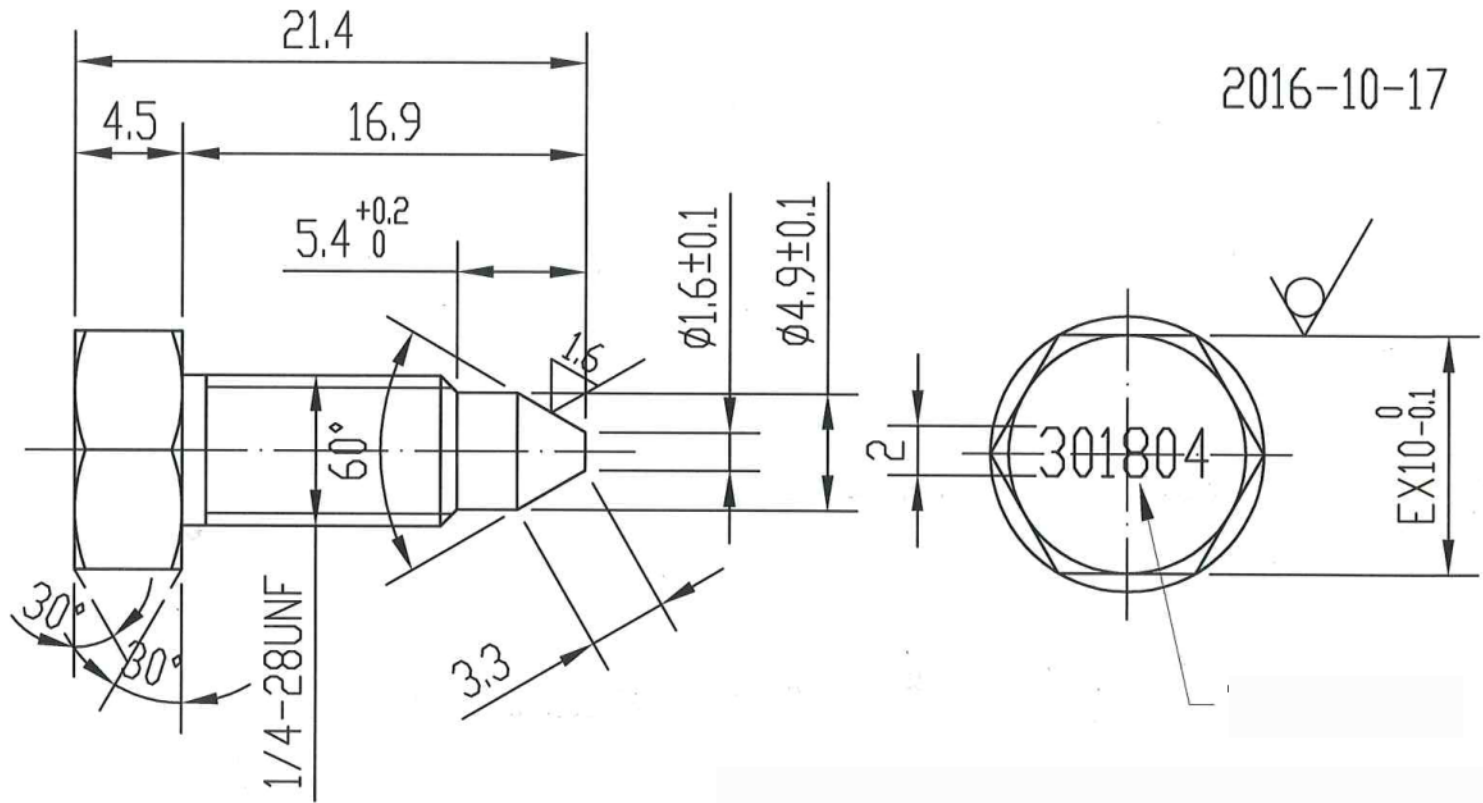


Remaining $\sqrt{3.2}$



2016-10-17

				MATERIAL	316L	GC Supplies UK Ltd. TEL:+44(0)161-681-8114 FAX:+44(0)161-947-0148	
				QUANTITY			
				SCALE			
				WEIGHT		PRODUCTS	Manual
						NAME	Vent Plugs
						VERSION	
						NUMBER	
MARK	REVISED		SIGN	DATE:	SUPPLY STATUS		1/2" Hole Connector
DESIGNED			REVIEWED				
APPROVED			DATE:		PAGE 1 OF 2		



2016-10-17

				MATERIAL	316L	GC Supplies UK Ltd. TEL:+44(0)161-681-8114 FAX:+44(0)161-947-0148	
				QUANTITY			
				SCALE		PRODUCTS NAME	SCREW
				WEIGHT			
					SUPPLY STATUS	VERSION NUMBER	
MARK	REVISED		SIGN	DATE:			
DESIGNED			REVIEWED				
APPROVED			DATE:		PAGE 2 OF 2		