

Media: air – water – gas – light oil  
 Pressure range: 0.5 to 15 bar max  
 Media temperature: >120 °C  
 Ambient temperature: -20 ° to +60 °  
 Media viscosity: >50 centistokes  
 Mounting: coil upright  
 Opening Closing Time: 50 mSec Max

# 2/2 Stainless

N/CLOSED & N/OPEN  
 2 WAY SERVO ASSISTED

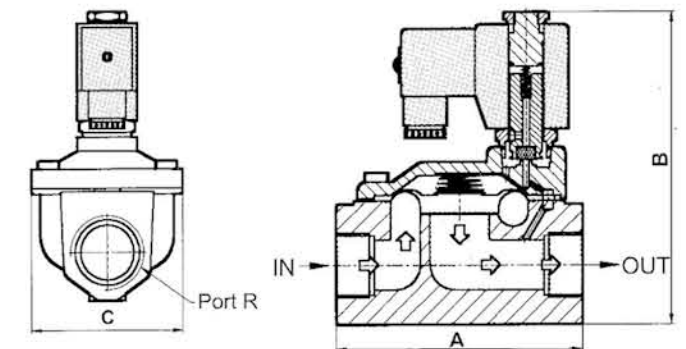
## TYPE SPU225



# Solenoid Valve Fig ETG SPU225


### OVERALL DIMENSIONS

Model	SPU225 03 & 4A	SPU225 06A & 08A	SPU225 12A & 14A	SPU225 20A
Port	3/8	3/4	1 1/4	2
A	66.5	100	132.6	160
B	106.5	134	141	160.5
C	48	70	96	112
Kg	0.74Kg	1.565Kg	2.56Kg	3.44Kg



PRESSURE								
Ø Port	Ø Orifice (mm)	Flow Rate Cv Ltr/ min	Pressure Rating (Bar)			Seals	Max Media Temp. °C	Part Number
			Min ΔP	Max ΔP	Max Working			
3/8	13	40.0	0.5	10	15	NBR FKM EPDM	60 120 120	SPU22503N + voltage SPU22503V + voltage SPU22503E + voltage
1/2	13	40.0	0.5	10	15	NBR FKM EPDM	60 120 120	SPU22504AN + voltage SPU22504AV + voltage SPU22504AE + voltage
3/4	25	165.0	0.5	10	15	NBR FKM EPDM	60 120 120	SPU22506AN + voltage SPU22506AV + voltage SPU22506AE + voltage
1	25	165.0	0.5	10	15	NBR FKM EPDM	60 120 120	SPU22508AN + voltage SPU22508AV + voltage SPU22508AE + voltage
1 1/4	40	450	0.5	10	15	NBR FKM EPDM	60 120 120	SPU22512AN + voltage SPU22512AV + voltage SPU22512AE + voltage
1 1/2	40	450	0.5	10	15	NBR FKM EPDM	60 120 120	SPU22514AN + voltage SPU22514AV + voltage SPU22514AE + voltage
2	50	580	0.5	10	15	NBR FKM EPDM	60 120 120	SPU22520AN + voltage SPU22520AV + voltage SPU22520AE + voltage

**OPTIONS**

Connector PG9 – DIN 43650 A  
 IP65 Coil  
 Normally Open version (DC - 0543-95.6-00) (AC - 0543-83.6-00)  
 Explosion Proof Coil: EExmII T4 II ATEX 2G IP65 T 130 °C (Optional T6 T 85 °C)   
 NPT Thread  
 Normally Closed with Silver Shading Ring (D014DVHA)  
 Normally Open with Silver Shading Ring (RD014DVHA)

ELECTRICAL DATA						
Voltage (-10% + 10%) Continuous duty 100%	Coil Size	Power		Insulation class	Enclosure	Electrical connections
		Inrush	Holding			
~ 24 - 48 - 110 - 240 - 380 (50 or 60 Hz)	22003	23VA	17VA	H 180 °C	IP 65 with connector	3 spades DIN 43650 DIN 40050 VDE 0110
= 12 - 24 - 48 (DC)		15 Watts				

**CONSTRUCTION**

Body: 316 Stainless Steel (CF8M)  
 Tube and internal parts: 304 + 430F Stainless steel  
 Seals and gaskets: FKM (Optional NBR & EPDM)  
 Moulded coil: Resin

REPAIR KIT	
Diaphragm seal	225 + port size + material
Coil	22003 + Voltage
Complete plunger + O' rings (Normally Closed)	225320VNC + seal material
Complete plunger + O' rings (Normally Open)	(DC - 0543-95.6-00) or (AC - 0543-83.6-00)