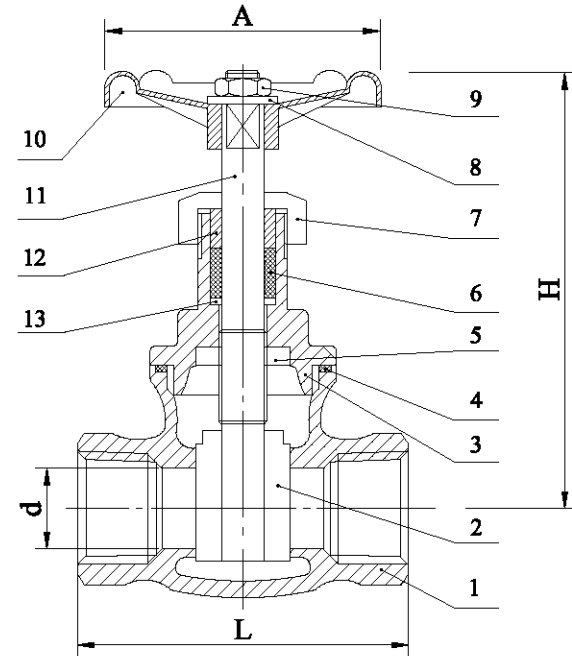


SIZE	d	L	H	A	Kgs
DN8	10	42	98	65	0.31
DN10	12	42	98	65	0.30
DN15	15	53	98	65	0.40
DN20	20	57	104	77	0.52
DN25	25	64	115	77	0.69
DN32	32	73	125	97	1.07
DN40	40	76	137	97	1.36
DN50	50	88	160	97	2.08
DN65	65	106	195	127	3.87
DN80	80	116	215	127	4.88



ITEM	PART	MATERIAL	QTY.
1	Body	CF8M	1
2	Disc	CF8M	1
3	Bonnet	CF8M	1
4	Gasket	PTFE	1
5	Snap Washer	SS316	1
6	Packing	PTFE	1
7	Packing Nut	SS316	1
8	Washer	SS304	1
9	Wheel Nut	SS304	1
10	Hand Wheel	Aluminum Alloy	1
11	Stem	SS316	1
12	Gland	SS304	1
13	Snap Washer	SS304	1

				MATERIAL		G.C. SUPPLIES UK LIMITED
				QUANTITY		
				SCALE		
				WEIGHT		
				SUPPLY STATUS		PRODUCTS NAME
MARK	REVISED	SIGN	DATE:			PART NAME
DESIGNED		REVIEWED				ETG-GT1
APPROVED		DATE:	18.7.26		PAGE 1 OF 1	