

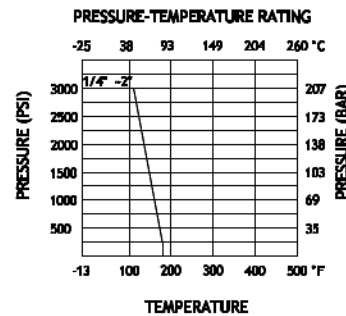
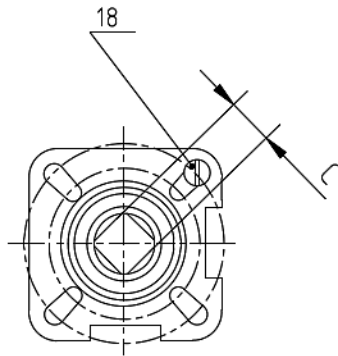
SIZE	d	L	H	h	W	C	S	K	ISO5211	N·m	Kgs
1/4"	9.7	75	70	41	115	9	26	8.5	F03/F04	6	0.80
3/8"	9.7	75	70	41	115	9	26	8.5	F03/F04	6	0.78
1/2"	12.7	75	70	41	117	9	30	8.5	F03/F04	6	0.76
3/4"	17.5	81	72	43.5	117	9	38	9.0	F03/F04	10	1.00
1"	22.1	91	83	53.5	134	11	46	11	F04/F05	13	1.56
1-1/4"	29	110	90	59	134	11	59	12	F04/F05	18	2.44
1-1/2"	34.7	121	114	75	203	14	66	13	F05/F07	23	3.62
2"	34.7	145	114	75	203	14	75	13	F05/F07	31	4.76

ITEM	PART	MATERIAL	QTY.
1	Body	CF8M	1
2	Ball Seat	DELRIN	2
3	Ball	SS316	1
4	Body Gasket	R-PTFE(15%)	1
5	Cap	CF8M	1
6	Stem	SS316	1
7	Thrust Washer	R-PTFE(15%)	1
8	O- Ring	VITON	1
9	Stem Packing	R-PTFE(15%)	1
10	Packing Ring	SS304	1
11	Belleville Washer	SS301	2
12	Nut Stopper	SS304	1
13	Nut	SS304	1
14	Plate Washer	SS304	1
15	Bolt	SS304	1
16	Handle	CF8	1
17	Plastic Cover	PLASTIC	1
18	Stop Pin	SS304	1

### ETG DM-2HP

#### 2-PC High Pressure Ball Valve

Investment casting for body and cap  
 Fire-safe design  
 Thread: ANSI B2.1, BS 21, ISO7/1  
 Mounting Pad: ISO5211  
 Pressure rating: 3000PSI(PN200)  
 Working temperature: -25°C~+ 80°C  
 Material: CF8M, CF8, CF3M, WCB



				MATERIAL	CF8M	GC Supplies UK Ltd. TEL:+44(0)161-681-8114 FAX:+44(0)161-947-0148	
				QUANTITY			
				SCALE			
				WEIGHT			
				SUPPLY STATUS		PRODUCTS NAME	BALL VALVES
MARK	REVISED		SIGN	DATE:		VERSION NUMBER	3000PSI
DESIGNED			REVIEWED			ETG DM-2HP	
APPROVED			DATE:		PAGE1 OF 1		