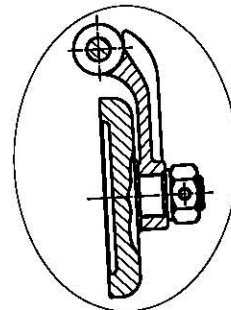


1/2"-3"

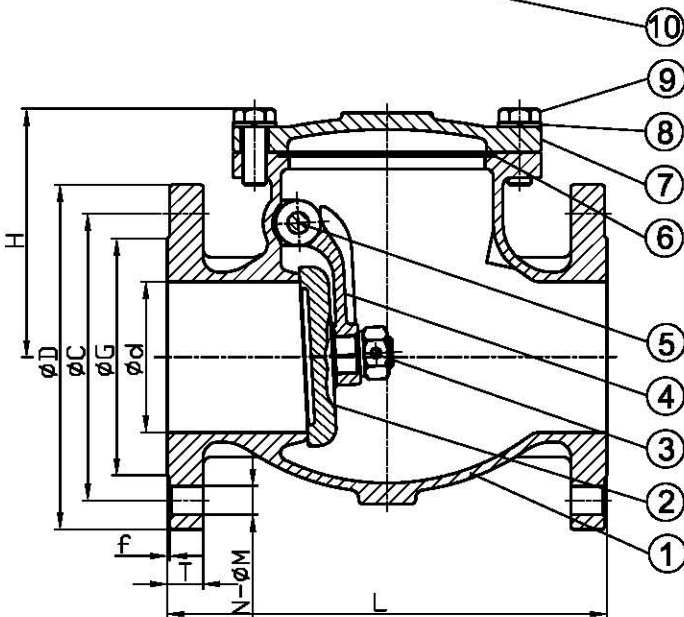


4"-12

MATERIALS LIST:

| NO. | PART NAME | MATERIAL | |
|-----|----------------|-----------------------|--------|
| 1 | BODY | 1.4308 | 1.4408 |
| 2 | DISC | 1.4308 | 1.4408 |
| 3 | NUT | SUS304 | |
| 4 | ARM HINGE | 1.4308 | 1.4408 |
| 5 | HINGE PIN | SUS304 | SUS316 |
| 6 | GASKET | * PTFE / 304+GRAPHITE | |
| 7 | BONNET | 1.4308 | 1.4408 |
| 8 | SPRING WASHERS | SUS304 | |
| 9 | BONNET BOLT | SUS304 | |
| 10 | BOLT | SUS304 | |

*8"UP GASKET:304+GRAPHITE



TEST PRESSURE:

| | |
|---------------------|------------------------|
| SHELL(BY WATER) | 345PSI |
| | 24kg/cm ² |
| SEAT | BY WATER |
| | 250PSI |
| | 17.5kg/cm ² |
| | BY AIR |
| 85PSI | |
| 6kg/cm ² | |

DIMENSIONS:

| SIZE | d | L | H | D | C | G | f | T | N-ØM | |
|--------|-----|-----|-----|-----|-----|-----|-----|---|------|--------|
| 1/2" | 15 | 15 | 130 | 51 | 95 | 65 | 45 | 2 | 14 | 4-Ø14 |
| 3/4" | 20 | 20 | 150 | 54 | 105 | 75 | 58 | 2 | 16 | 4-Ø14 |
| 1" | 25 | 25 | 160 | 64 | 115 | 85 | 68 | 2 | 16 | 4-Ø14 |
| 1 1/4" | 32 | 32 | 180 | 68 | 140 | 100 | 78 | 2 | 16 | 4-Ø18 |
| 1 1/2" | 40 | 40 | 200 | 75 | 150 | 110 | 88 | 3 | 16 | 4-Ø18 |
| 2" | 50 | 50 | 230 | 97 | 165 | 125 | 102 | 3 | 18 | 4-Ø18 |
| 2 1/2" | 65 | 65 | 290 | 111 | 185 | 145 | 122 | 3 | 18 | 4-Ø18 |
| 3" | 80 | 80 | 310 | 120 | 200 | 160 | 138 | 3 | 20 | 8-Ø18 |
| 4" | 100 | 100 | 350 | 162 | 220 | 180 | 158 | 3 | 20 | 8-Ø18 |
| 5" | 125 | 125 | 400 | 179 | 250 | 210 | 188 | 3 | 22 | 8-Ø18 |
| 6" | 150 | 150 | 480 | 203 | 285 | 240 | 212 | 3 | 22 | 8-Ø22 |
| 8" | 200 | 200 | 600 | 236 | 340 | 295 | 268 | 3 | 24 | 12-Ø22 |
| 10" | 250 | 250 | 730 | 302 | 405 | 355 | 320 | 3 | 26 | 12-Ø26 |
| 12" | 300 | 300 | 850 | 340 | 460 | 410 | 378 | 4 | 28 | 12-Ø26 |

* All dimensions are subject to change without further notification.

FEATURES:

- FACE TO FACE DIMENSION: DIN3202-F1
- END FLANGE DIMENSIONS: DIN2633
- DESIGN: ANSI B16.34
- TEST: EN 12266-1
- INVESTMENT CASTING BODY

GC Supplies UK Ltd.

TEL: +44(0)161-681-8114

FAX: +44(0)161-947-0148

| | | | | | |
|--------------|-----------------------------------|-----------|------------|--------------|--|
| DESC | SWING CHECK VALVE PN16 FLANGE END | DRAWING # | ETG-CK16 | | |
| APPROVED BY. | | DATE | 30/10/2009 | | |
| DRAWER | <i>Y.J. Lee</i> | MATERIAL | | MODIFICATION | |