

Stainless Steel Automatic Air Vent Valve

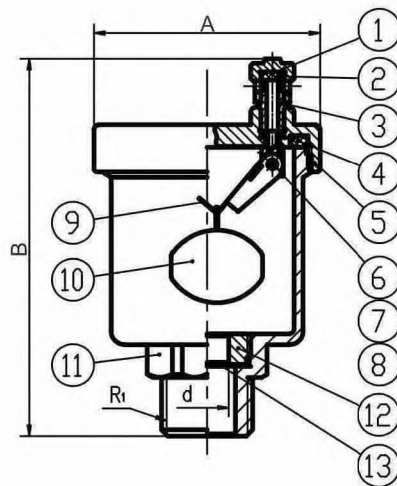
The automatic air vent valves are usually used in HVAC Solar heating systems, Chemical equipment, Wind Power systems and so on.

Features

All the valves are tested prior to shipment to ensure that they only exhaust air during operation.

The valves will work to protect the system when there are air pockets.

The body and elements are made of Stainless Steel 316. This ensures long and reliable operation.



Dimension				
P	A	B	R ₁	d
3/8"	52	87	3/8"	8
1/2"	52	88	1/2"	10
3/4"	52	91	3/4"	15
1"	52	93	1"	22

Unit:mm

General material

NO.	Model	262	262:
1	Cap	SS316	Working temperature
2	Gasket	FKM	FKM
3	Exhaust Column	SS316	-20~200°C
4	O-ring	FKM	
5	Bonnet	SS316	262:
6	Sealing Column	SS316	
7	Balancing Column	SS316	0.1~40 Bar
8	Gasket	FKM	/
9	Bouncing Slince	SS316	
10	Float	SS316	
11	Valve Body	SS316	
12	Locked Nut	SS316	
13	Strainer	SS316	