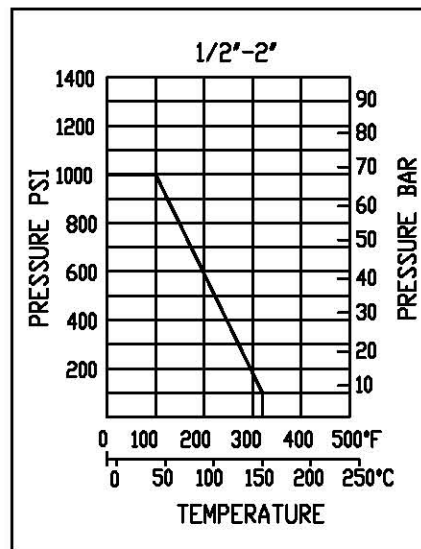


□ PRESSURE TEMPERATURE RATING □ MATERIAL OF CONSTRUCTION



ITEM	PARTS	MATERIAL		QTY
1	BODY	A351-CF8M	A351-CF3M	1
2	CAP	A351-CF8M	A351-CF3M	4
3	BALL	A351-CF8M	A351-CF3M	1
4	SEAT	PTFE	PTFE	4
5	GASKET	PTFE	PTFE	2
6	THRUST WASHER	PTFE	PTFE	1
7	O-RING	FKM	FKM	1
8	STEM PACKING	PTFE	PTFE	1
9	RING	AISI 316	AISI 304	1
10	BEVEL WASHER	AISI 301	AISI 301	2
11	STOP PIN	AISI 316	AISI 316	1
12	NUT	AISI 304	AISI 304	1
13	STEM	AISI 316	AISI 316	1
14	HANDLE	AISI 304	AISI 304	1
15	SPRING WASHER	AISI 304	AISI 304	16
16	BOLT	AISI 304	AISI 304	16
17	PREVALING DEVICE	AISI 304	AISI 304	1

□ DIMENSION (M.M.)

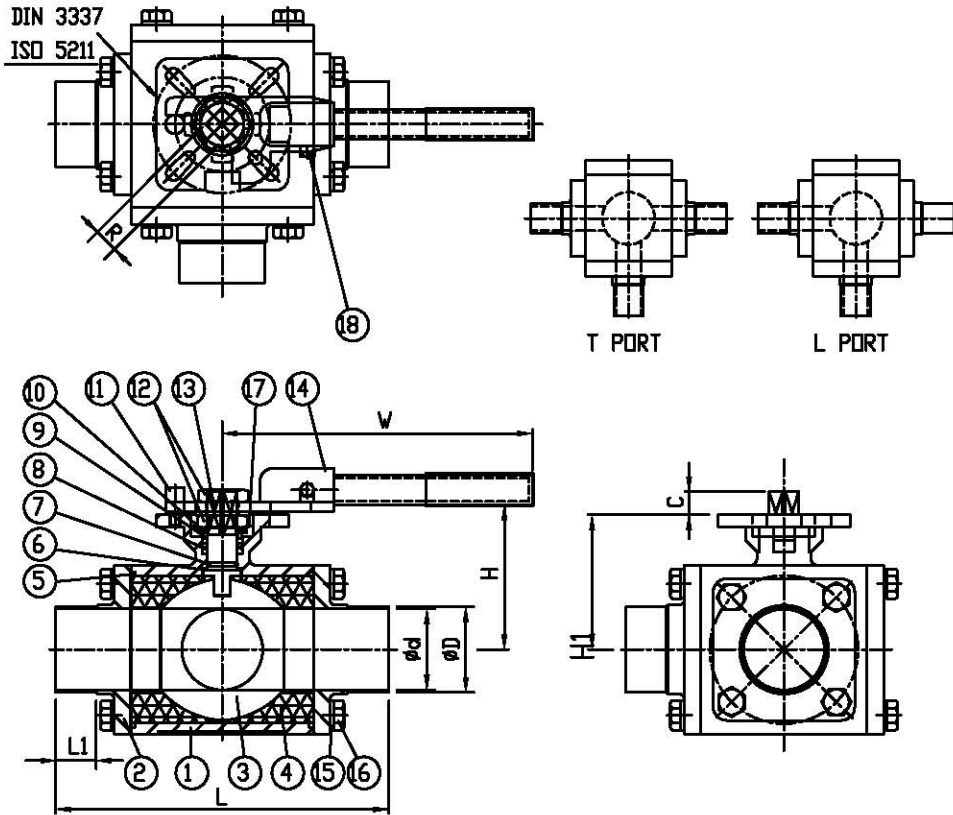
SIZE	DN	ISO-5211	W	H	H1	C	R	L	L1	øD	ød	TORQUE INLB
1/2"	15	F03/F04	121	78	44.5	9	9	118	20	12.7	9.5	85
3/4"	20	F03/F04	121	82	48	9	9	127	20	19.1	15.8	90
1"	25	F04/F05	137	90	59	11	11	152.4	25	25.4	22.2	150
1-1/2"	40	F05/F07	182	110	72	14	14	175	25	38.2	35.0	350
2"	50	F05/F07	182	114.7	82	14	14	190	25	50.8	47.6	780

THREE WAY MULTI-PORT BALL VALVE 1000WDG
SANITARY BUTT WELD END BW/BW/BW
FEATURES:

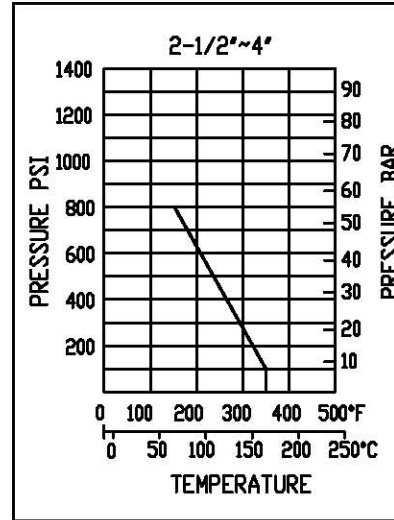
- LOCKING DEVICE : LUG BODY
- BLOW-OUT PROOF STEM
- INVESTMENT CAST STAINLESS STEEL
- MATERIAL : ASTM-CF8M-A351, ASTM-CF3M-A351
- BALL : T-PORT AND L-PORT
- SIZE : AVAILABLE FORM 1/2" ~ 2"

G.C. SUPPLIES UK LTD
TEL: +44 (0) 161-681-8114
FAX: +44 (0) 161-947-0148

DESC.	3 WAY SANITARY BALL VALVE	DRAWING #	ETG-H3WOD		
APPROVED BY.		DATE	2010.07.15		
DRAWER	Chen	MATERIAL	SS316	MODIFICATION	DATE



□ PRESSURE TEMPERATURE RATING □ MATERIAL OF CONSTRUCTION



ITEM	PARTS	MATERIAL		QTY
1	BODY	A351-CF8M	A351-CF3M	1
2	CAP	A351-CF8M	A351-CF3M	4
3	BALL	A351-CF8M	AISI 351	1
4	SEAT	PTFE	PTFE	4
5	GASKET	PTFE	PTFE	2
6	THRUST WASHER	PTFE	PTFE	1
7	O-RING	FKN	FKN	1
8	STEM PACKING	PTFE	PTFE	1
9	RING	AISI 316	AISI 304	1
10	BEVEL WASHER	AISI 301	AISI 301	2
11	STOP PIN	AISI 304	AISI 304	1
12	NUT	AISI 304	AISI 304	1
13	STEM	AISI 316	AISI 316	1
14	HANDLE	AISI 304	AISI 304	1
15	SPRING WASHER	AISI 304	AISI 304	16
16	BOLT	AISI 304	AISI 304	16
17	BEVEL WASHER	AISI 304	AISI 304	1
18	NUT	AISI 304	AISI 304	1

THREE WAY MULTI-PORT BALL VALVE 1000WDG
 SANITARY BUTT WELD END BW/BW/BW
 FEATURES:

- LOCKING DEVICE : LUG BODY
- BLOW-OUT PROOF STEM
- INVESTMENT CAST STAINLESS STEEL
- MATERIAL : ASTM-CF8M-A351,ASTM-CF3M-A351
- BALL : T-PORT AND L-PORT
- SIZE : AVAILABLE FORM 2-1/2" ~ 4"

□ DIMENSION(K.M.M.)

SIZE	DN	ISO-5211	W	H	H1	C	R	L	L1	øD	ød	TORQUE INLB
2-1/2"	65	F07/F10	370	108	100	17	17	228	25	63.4	60	1060
3"	80	F10/F12	400	134	125.5	23	22	260	25	76.2	73	1750
4"	100	F10/F12	400	156	135.5	23	22	318	50	101.6	97.4	1900

G.C. SUPPLIES UK LTD
 TEL:+44 (0) 161-681-8114
 FAX:+44 (0) 161-947-0148

DESC.	3 WAY SANITARY BALL VALVE	DRAWING #	ETG-H3WOD		
APPROVED BY.		DATE	2010/07/15		
DRAWER	Chen	MATERIAL	SS316	MODIFICATION	DATE