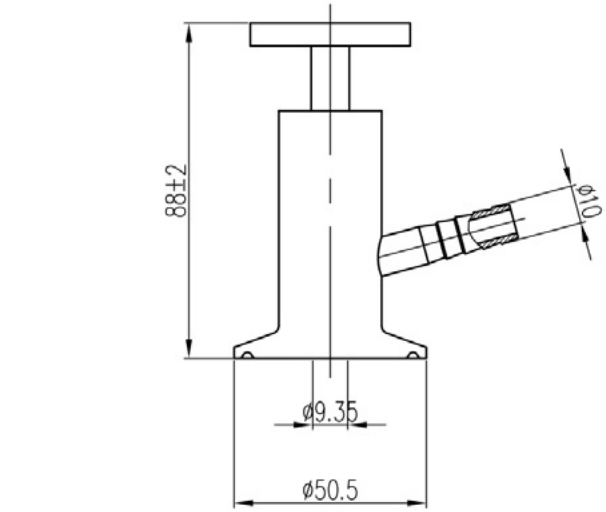


## Sanitary/Hygienic Sample Tap ETG SV-2



- Mirror Polished ASTM A351 CF3M 316L Stainless Steel Construction.
- FKM (Viton Tm) Stem O'Rings.
- PTFE Seat.
- 1"/1.1/2" Clamp Ferrule Inlet Connection with 10mm O/D Barbed Spout.
- Stainless Steel Elliptical Operating Knob.
- 10 Bar/g maximum operating pressure.
- 150 Deg C maximum operating temperature.

A cost effective, simple solution for Process Sampling where Hygiene or Aseptic properties are essential.

Item	Part	Material	Qty.
1	Body	CF8M	1
2	Body Seat	PTFE	1
3	Valve Plug	316	1
4	O-Ring	NBR	1