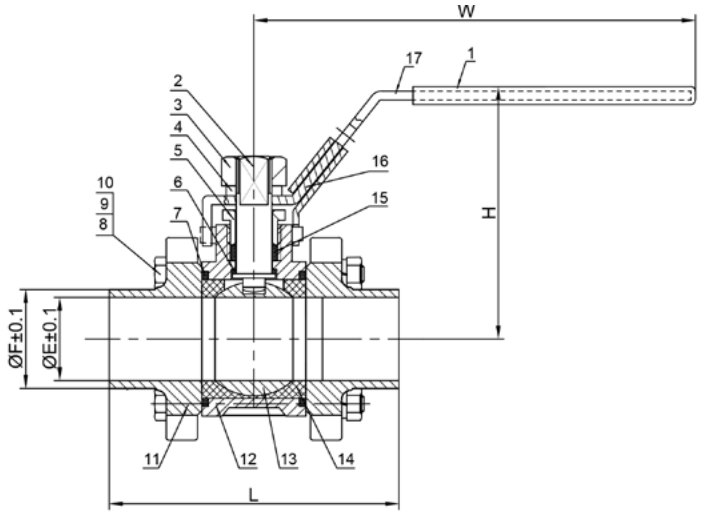


## 3-Pce Full Bore Hygienic/Sanitary Cavity Filled Ball Valve with Weld Ends



- ASTM A351 CF8M 316 Stainless Steel body construction, CF3M 316L Weld Ends, 316 Trim.
- -20 / +180 Deg C Temperature rated.
- PTFE (FDA approved) Cavity Filled Ball Seats and Seals.
- Manual Lever Operated with Locking Device.
- 1000 psi/g pressure rated (2-1/2" - 3" size is 400 psi/g pressure rated).
- Chemically polished external surface, Mechanical polish Ra 32 / 0.8um Internal.
- Certified as being non-Bovine and TSE (Transmissible Spongiform Encephalopathy) Free for all manufacturing and packaging processes

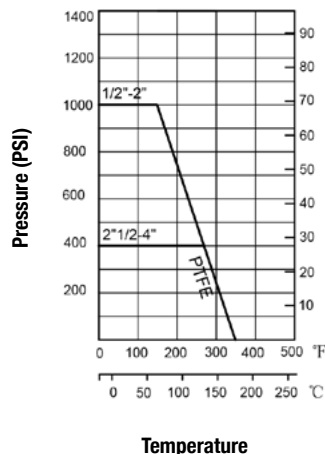
**Clamp, DIN 11851, IDF, SMS, ACME (3A) and RJT Male and Female Ends**

**Mating Union Parts and Seals available from stock**  
**Standard seat material is FDA certified**  
**Design Rating: MSS SP-110, BS4825**

**Inspection & Testing: API 598 / EN 12266-1**  
**End connections: BS4825 1.6mm Wall Thickness**

**Available size range: 1/2" O/D - 3" O/D**

**Pressure-Temp. Rating**



| Item | Part           | Material | Qty. |
|------|----------------|----------|------|
| 1    | Hand Sleeve    | PVC      | 1    |
| 2    | Stem           | 316      | 1    |
| 3    | Stem Nut       | 304      | 1    |
| 4    | Spring Washer  | 304      | 1    |
| 5    | Gland Nut      | 304      | 1    |
| 6    | Thrust Washer  | PTFE     | 1    |
| 7    | Seal           | PTFE     | 2    |
| 8    | Bolt           | 304      | 4-6  |
| 9    | Bolt Washer    | 304      | 4-6  |
| 10   | Bolt Nut       | 304      | 4-6  |
| 11   | End Cap        | 316L     | 2    |
| 12   | Body           | CF8M     | 1    |
| 13   | Ball           | 316      | 1    |
| 14   | Ball Seat      | PTFE     | 2    |
| 15   | Stem Packing   | PTFE     | 1    |
| 16   | Locking Device | 304      | 1    |
| 17   | Handle         | 304      | 1    |

| SIZE   | L   | H     | W     | E     | F     |
|--------|-----|-------|-------|-------|-------|
| 1/2"   | 90  | 56.5  | 108.5 | 9.5   | 12.7  |
| 3/4"   | 90  | 62.2  | 108.5 | 15.85 | 19.05 |
| 1"     | 100 | 70.5  | 130.5 | 22.2  | 25.4  |
| 1-1/2" | 125 | 92    | 162.5 | 34.9  | 38.1  |
| 2"     | 150 | 101   | 162.5 | 47.6  | 50.8  |
| 2-1/2" | 190 | 129   | 247   | 60.3  | 63.5  |
| 3"     | 220 | 138.5 | 247   | 73    | 76.2  |
| 4"     | 270 | 176   | 320   | 97.6  | 101.6 |