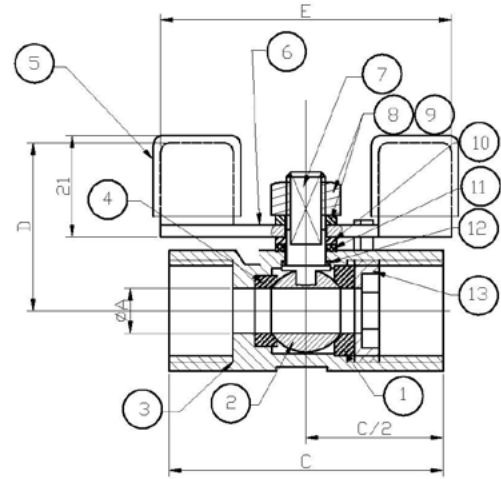
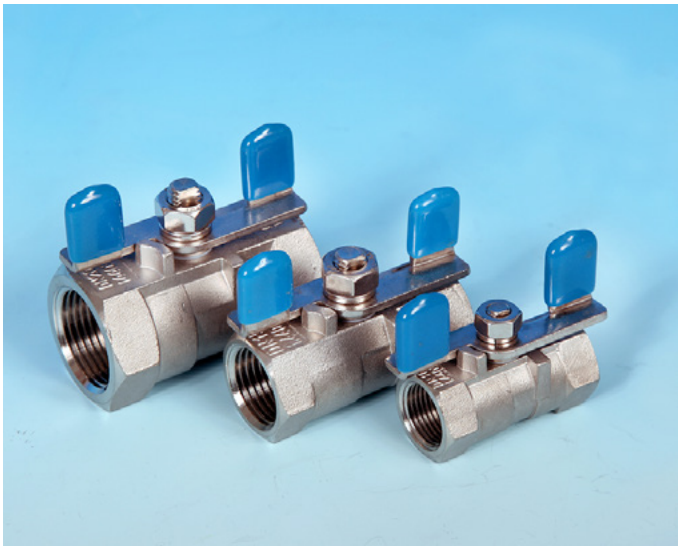


## 1-Pce Reduced Bore T-Handle Ball Valve



- ASTM A351 CF8M 316 Stainless Steel construction, 316 Trim.
- PTFE Seats and Seals. 1000 psi/g Pressure rated.
- -20 / + 180 Deg C Temperature rated.
- Screwed BSP only.

A good quality, general purpose ball valve suitable for most Liquid and Gaseous duties.

**Full material Test Certificates available**

**Test standard – API 598**

**BSP Ends - ISO7-1**

**Available size range: 1/4" - 1"**

Item	Part	Material	Qty.
1	Joint Gasket	PTFE	1
2	Ball	CF8M	1
3	Body	CF8M	1
4	Seat	PTFE	1
5	Handle Cover	PLASTIC	2
6	Handle	304	1
7	Stem	316	1
8	Stem Nut	304	1
9	Stem Washer	304	1
10	Gland Nut	304	1
11	Stem Packing	PTFE	1
12	Thrust Washer	PTFE	1
13	Body Insert	CF8M	1

SIZE	A	C	E	D
1/4"	5	39	44	35
3/8"	7	44	55	35
1/2"	9.2	56.5	60	36.5
3/4"	12.8	59	60	40.5
1"	15	71	80	46.5

