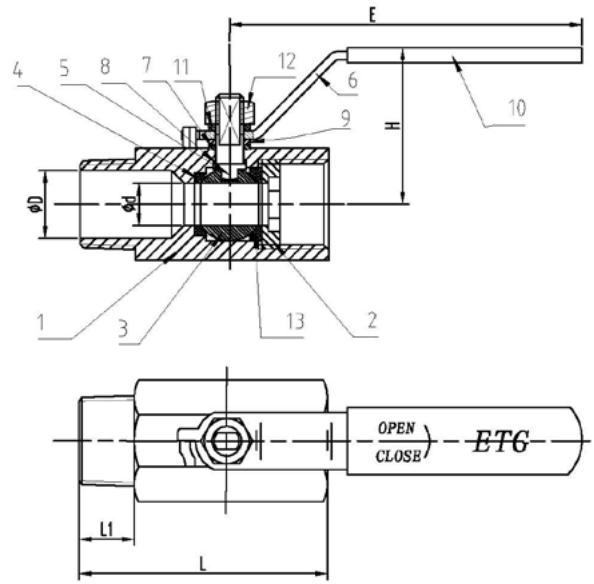


## 1-Pce Reduced Bore Male x Female Ball Valve



- ASTM A351 CF8M 316 Stainless Steel construction, 316 Trim.
- BSPT and NPT End connections.
- PTFE Seats and Seals.
- 1000 psi/g Pressure rated.
- -20 / + 180 Deg C Temperature rated.

Full material Test Certificates available

Test standard – API 598

Available size range: 1/4" - 1/2"

Item	Part	Material	Qty.
1	Body	316	1
2	Body Insert	316	1
3	Ball	316	1
4	Seat	PTFE	1
5	Stem	316	2
6	Handle	304	1
7	Stem Packing	PTFE	1
8	Thrust Washer	PTFE	1
9	Gland Ring	304	1
10	Handle Cover	PLASTIC	1
11	Stem Washer	304	1
12	Stem Nut	304	1
13	Joint Gasket	PTFE	1

SIZE	ø D±0.5	ø d±0.5	E ± 3	H ± 3	L ± 1	L1 ± 1
1/4" x 1/4"	8	5	40/72	27	46	12
1/2" x 1/4"	8	9.2	94	42	54	12
1/2" x 1/2"	14.5	9.2	94	42	60.5	18.5

