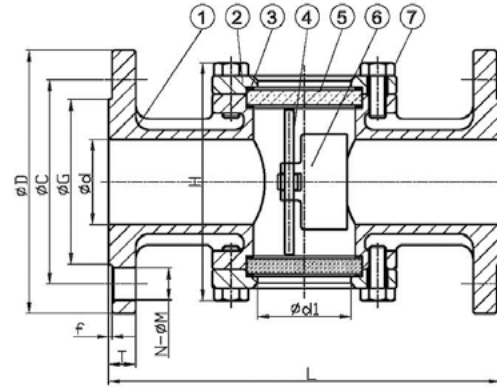
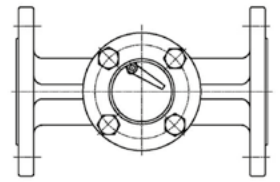
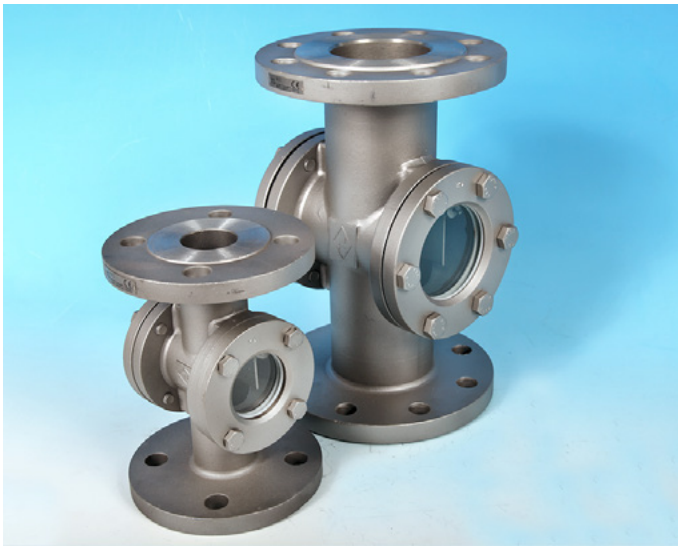


Flanged ANSI 150 Double Window Sight Glass



- ASTM A351 CF8M 316 Stainless Steel construction.
- PTFE Glass Seals. Borosilicate Glass. Swinging Flap to indicate Flow.
- Bolted Glass Covers. DIN 3202 F-1 Face to Face dimension.
- -20 / + 200 Deg C temperature rated. 10 Bar/g pressure rated.

A versatile, cost effective solution where visual flow indication is required within the pipeline construction.

Item	Part	Material	Qty.
1	Body	CF8M	1
2	Cap	CF8M	1
3	Gasket	PTFE	1
4	Stem	SUS316	1
5	Glass	BOROSILICATE	1
6	Indicator	CF8M	1
7	Bolt	SUS304	1

3.1 Material Certificates available.

Test standard – API 598

Available size range: 1" - 4"

SIZE	d	d1	L	H	D	C	G	f	T	N-øM
1"	25	35	160	115	108	79.5	51	1.6	11.1	4-ø16
1-1/4"	32	55	180	143	117	89.5	64	1.6	12.7	4-ø16
1-1/2"	40	55	200	143	127	98.5	73	1.6	14.3	4-ø16
2"	50	55	230	143	152	120.5	92	1.6	15.9	4-ø19
2-1/2"	65	85	290	185	178	139.5	105	1.6	17.5	4-ø19
3"	80	85	310	196	190	152.5	127	1.6	19.1	4-ø19
4"	100	110	350	228	229	190.5	157	1.6	23.9	8-ø19
6"	150	160	480	310	279	241.5	216	1.6	25.4	8-ø22

Pressure-Temp. Rating

