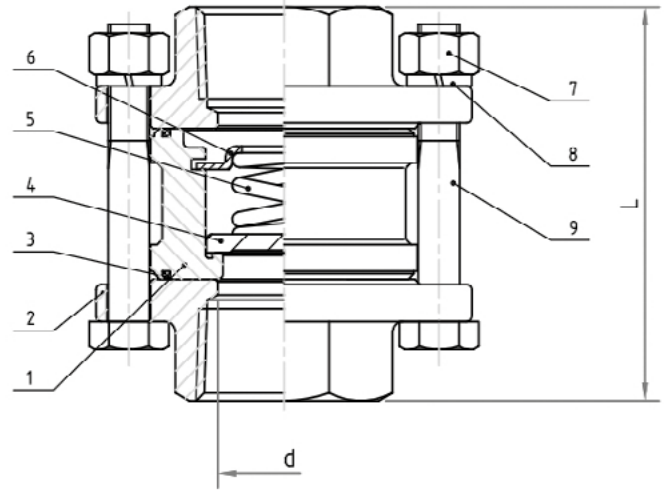




Screwed 3-Piece Spring Check Valve



- ASTM A351 CF8M 316 Stainless Steel construction.
- 316 Stainless Steel Spring.
- 3-Pce Bolt together body construction.
- PTFE Body Seals, Metal Seat.
- 63 bar (1000 psi) pressure rated.
- -25 / +180 deg C Temp rated.
- BSP Screwed end connections to ISO 7/1(Rp).
- CE marked (from 1.1/4”).

Item	Part	Material	Qty.
1	Body	CF8M	1
2	Cap	CF8M	2
3	Seal	PTFE	2
4	Disc	CF8M	1
5	Spring	SS316	1
6	Stopper	SS304	1
7	Nut	SS304	4(6)
8	Washer	SS304	4(6)
9	Bolt	SS304	4(6)

Low “Cracking Pressures”.

The 3-pce body construction allows the valve to be maintained.

We are able to offer full material certification to EN 10204 3.1.

Available stock size range: 1/2” - 2” (other sizes on Factory delivery).

Also available with Butt Weld and Socket Weld Nominal Bore End Connections.

SIZE	d	B	Cracking Pressure mbar	Cv	Kv	Weight kg
1/2”	15	56	22-30	5.7	4.9	0.3
3/4”	20	65	22-30	10.3	8.8	0.43
1”	25	74	22-30	13.11	11.2	0.61
1-1/4”	32	83	24-32	24.2	20.7	1
1-1/2”	40	91	24-32	33.8	29	1.32
2”	50	110	24-32	46.7	40	2.14

Please note that no alternative spring ranges are available for this model of Check Valve

